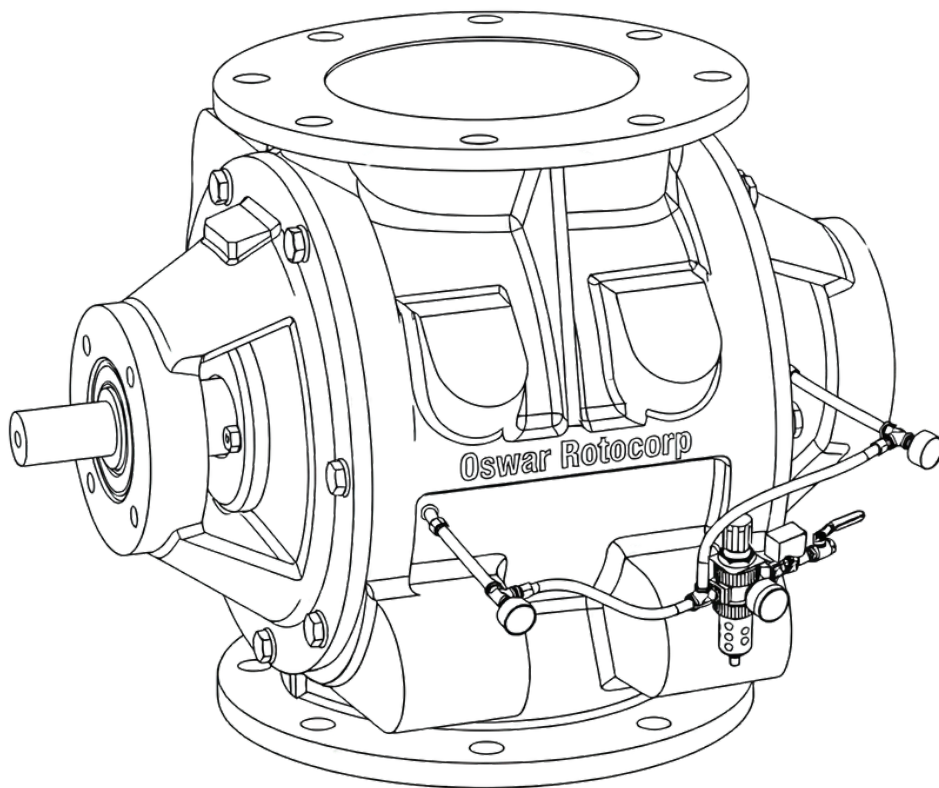


# RAL-S STANDARD SERIES

RELIABLE. EFFICIENT. INDUSTRIALLY PROVEN.



**OSWAR**  
rotocorp

# RAL-S – THE INDUSTRIAL STANDARD

The RAL-S Standard Series is engineered to deliver dependable rotary airlock performance for routine industrial applications requiring stable material discharge and consistent airlock sealing.

Designed as a cost-efficient and performance-optimized solution, the RAL-S series provides reliable volumetric control in dust collection systems, silos, cyclones, and pneumatic conveying lines. Its robust yet simplified construction ensures smooth operation, reduced maintenance, and long operational life under standard working conditions.

## KEY FEATURES

STANDARD-DUTY  
INDUSTRIAL DESIGN

STABLE  
VOLUMETRIC  
PERFORMANCE

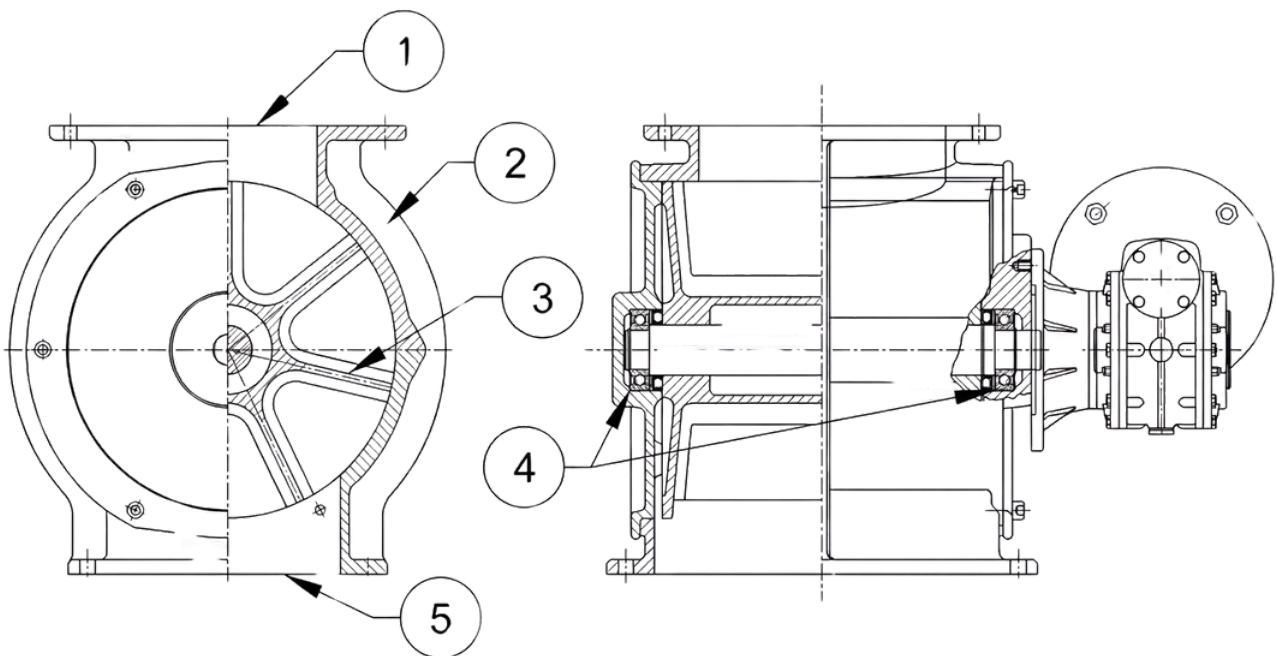
SIMPLIFIED  
MAINTENANCE  
STRUCTURE

COST-EFFICIENT  
OPERATION

# ENGINEERED FOR CONSISTENT PERFORMANCE

The RAL-S Standard Series is manufactured with precision CNC-machined housings and controlled rotor clearances to ensure stable and repeatable material flow.

The rotor design is optimized for uniform discharge, minimizing air leakage while maintaining operational efficiency. Heavy-duty bearings and structured sealing systems support continuous operation in moderate industrial environments.



## MANUFACTURING & QUALITY

- Precision CNC-machined body
- Optimized rotor-to-housing clearances
- Standard wear-resistant construction
- Heavy-duty bearing arrangement
- Efficient sealing geometry

# APPLICATIONS & INDUSTRY COVERAGE

- **Cement Plants**
- **Power & Boiler Units**
- **Fertilizer & Chemical Processing**
- **Steel & Lime Units**
- **Mining & Mineral Handling**
- **Sugar & Ethanol Plants**
- **Ceramics & Glass**
- **Food Processing Industries**



# OSWAR

## rotocorp

### **Corporate Office**

Jaipur, Rajasthan India  
Nagpur, Maharashtra India

### **Sales Inquiries**

[ellaashford.uk@oswarrotocorp.com](mailto:ellaashford.uk@oswarrotocorp.com)

### **Helpline**

[+44 7917 128505](tel:+447917128505) | +91 77422 36474

**Copyright** © 2026 OSWAR ROTOCORP. All Rights Reserved. OSWAR® is a registered trademark of **OSWAR ROTOCORP**. This brochure makes no offers, representations or warranties (express or implied), and information and data contained in this brochure are for general reference only and may change at any time.